

AC/DC Switching Adapter - Single Output

AD-A6V2 40/65Watts Series
DOE level VI and EU tier 2 Efficiency Compliant

FEATURES

- 3-pole IEC320-C6 and 2-pole C8 AC inlet available
- Meet Efficiency level VI & CoC V5 Tier 2 requirements
- No load Power consumption < 150mW
- Power on LED indicator
- 3 year warranty

ELECTRICAL SPECIFICATIONS

- Input range : 90 - 264VAC
- Frequency : 47 - 63Hz
- Inrush current : < 45A peak @115VAC; < 90A peak @230VAC cold start @25°C
- Input current (rms) : 2A @90VAC; 1A @264VAC max.
- Efficiency : > 89% @average Load, 115/230VAC
- Maximum output power (Po) : 65Watts
- Hold-up time : > 10ms typical @full load, 115VAC
- Short Circuit Protection: Auto-recovery
- Over Load Protection: Auto-recovery
- Over Voltage Protection: Latch off

ENVIRONMENTAL

- Operating temperature : 0 to +60°C (Derate linearly 2.5% per °C from 41 to 60°C)
- Storage temperature : -20°C to +85°C
- Humidity: 10% ~ 90%.
- MTBF : > 200,000 hours at full load and 25°C ambient temperature

DC OUTPUT & FEATURES

Model	Output Rating		Po	O/P Regulation	Ripple & Noise(Vp-p) Full load	LPS	Efficiency Level
PW-040A2-1Y05FZ	5V	8A	40W	±5%	200mV		V
PW-060A2-1Y12FZ	12V	5A	60W	±5%	150mV	●	VI
PW-060A2-1Y15FZ	15V	4A	60W	±5%	150mV	●	VI
PW-065A2-1Y19FZ	19V	3.42A	65W	±3%	150mV	●	VI
PW-065A2-1Y24FZ	24V	2.71A	65W	±3%	150mV	●	VI
PW-065A2-1Y28FZ	28V	2.32A	65W	±3%	150mV	●	VI
PW-065A2-1Y48FZ	48V	1.35A	65W	±3%	150mV	●	VI

- Note:**
1. Ripple and noise are measured at oscilloscope 20MHz bandwidth by a 47uF electrolytic capacitor and a 0.1uF ceramic capacitor in parallel at output connector.
 2. Z = 0, AC INLET : IEC 320-C8 (2PIN), Z = 1, AC Inlet : IEC 320-C6 (3PIN)



RoHS Compliant

Dimension : L108 xW47.5 xH30 mm (4.25"x 1.87"x 1.18")
Weight : 0.235 kgs. (0.518 lbs.)

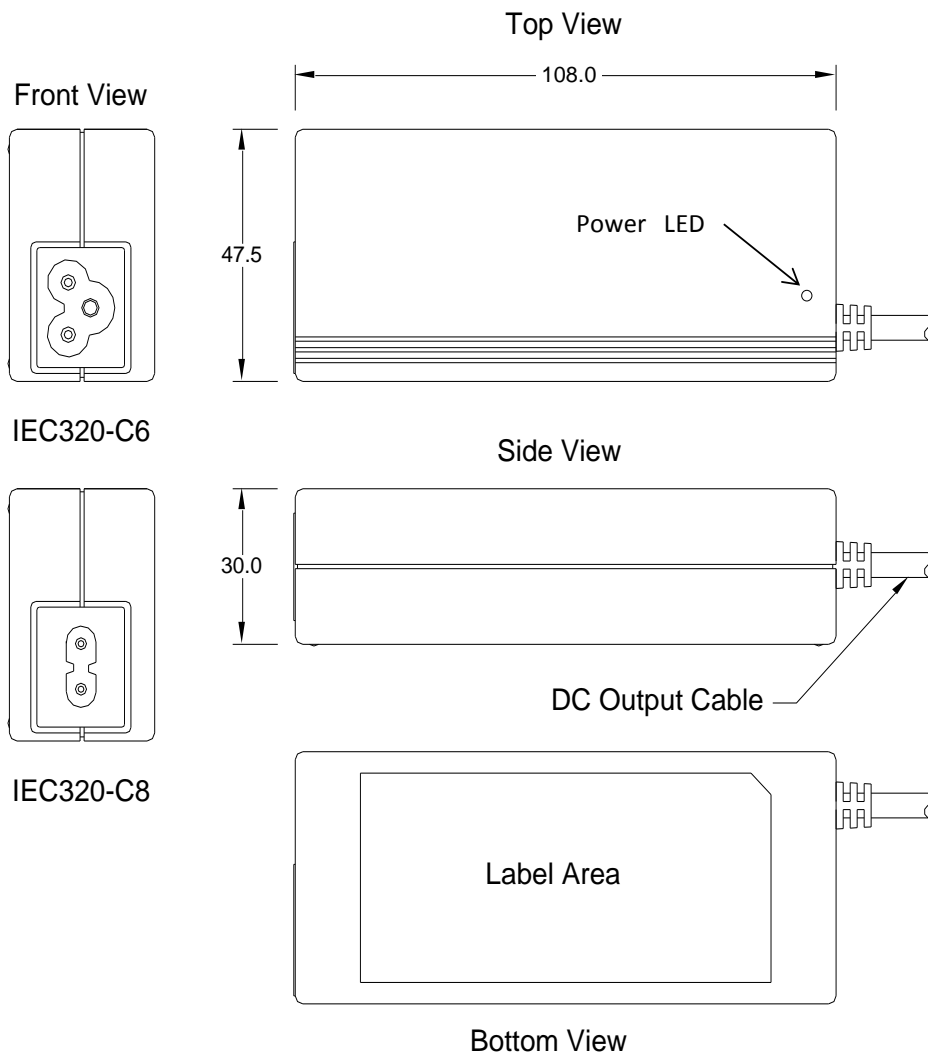
SAFETY STANDARDS

UL 60950-1
CSA C22.2-No.60950-1
TUV EN60950-1
CB IEC 60950-1

EMC STANDARDS

FCC Class B
CISPR22 Class B
EN 55022 Class B
CE

MECHANICAL SPECIFICATION



- Note:
1. AC Inlet : IEC320-C6 or IEC320-C8
 2. Plastic Case Color : Black
 3. Tolerance : $\pm 0.5\text{mm}$
 4. Unit : mm

STANDARD OUTPUT CABLE

1. AWM 1571 # 16 AWG 1C + SHIELDING, UL 80°C 30V VW-1, 1,000 mm.
2. AWM 2464 # 18 AWG 3C + SHIELDING, UL 80°C 300V VW-1, 1,000 mm.
3. Depends on customers requirements.